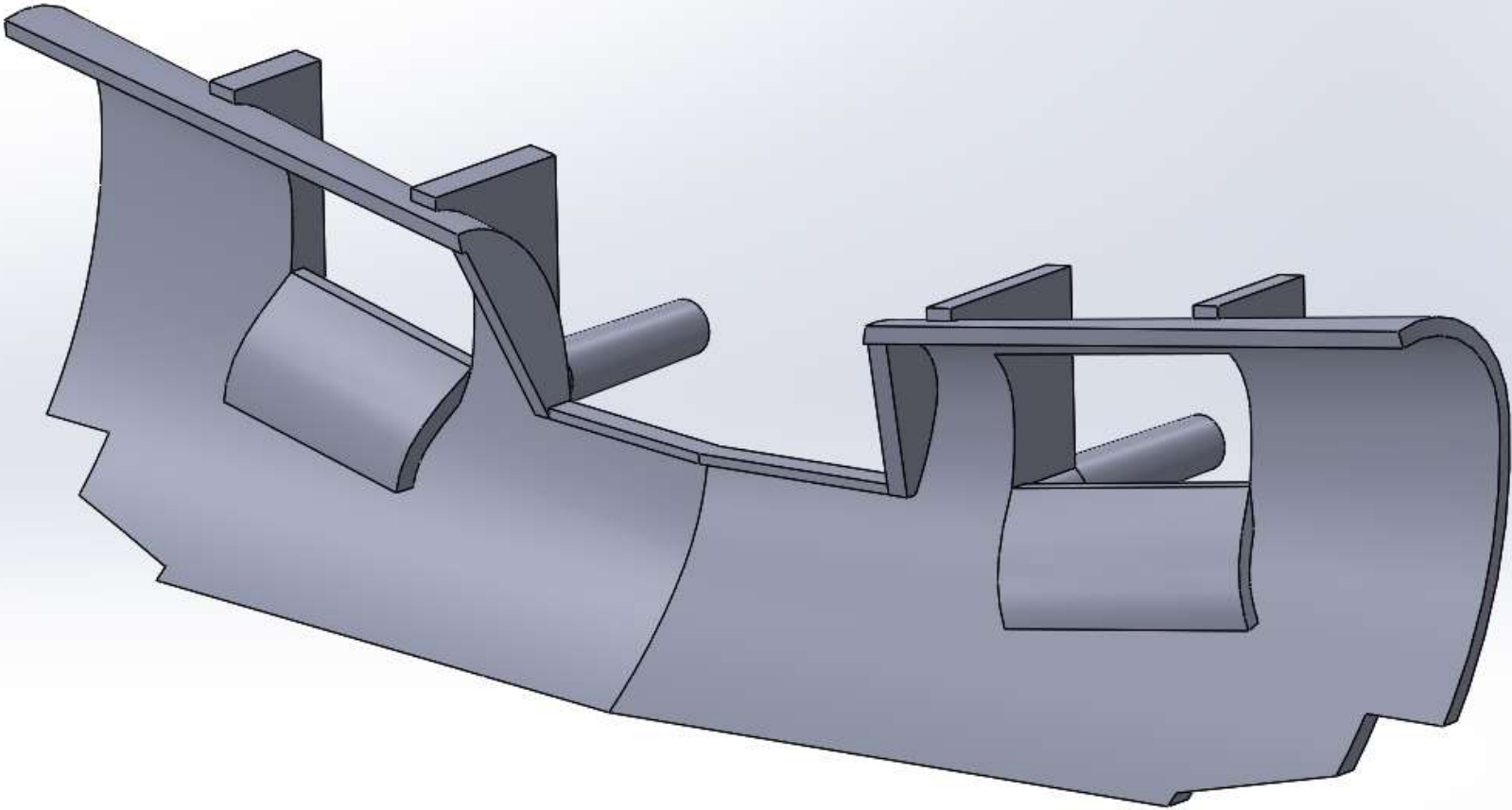


# EMD Snow Plow

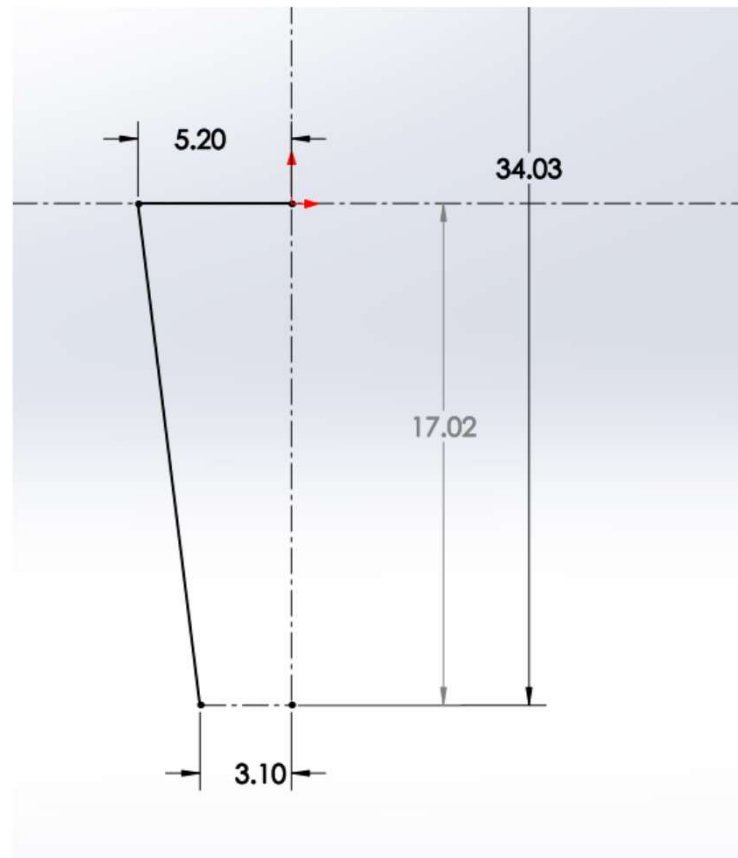
Making The Model

T.Long 3-2024

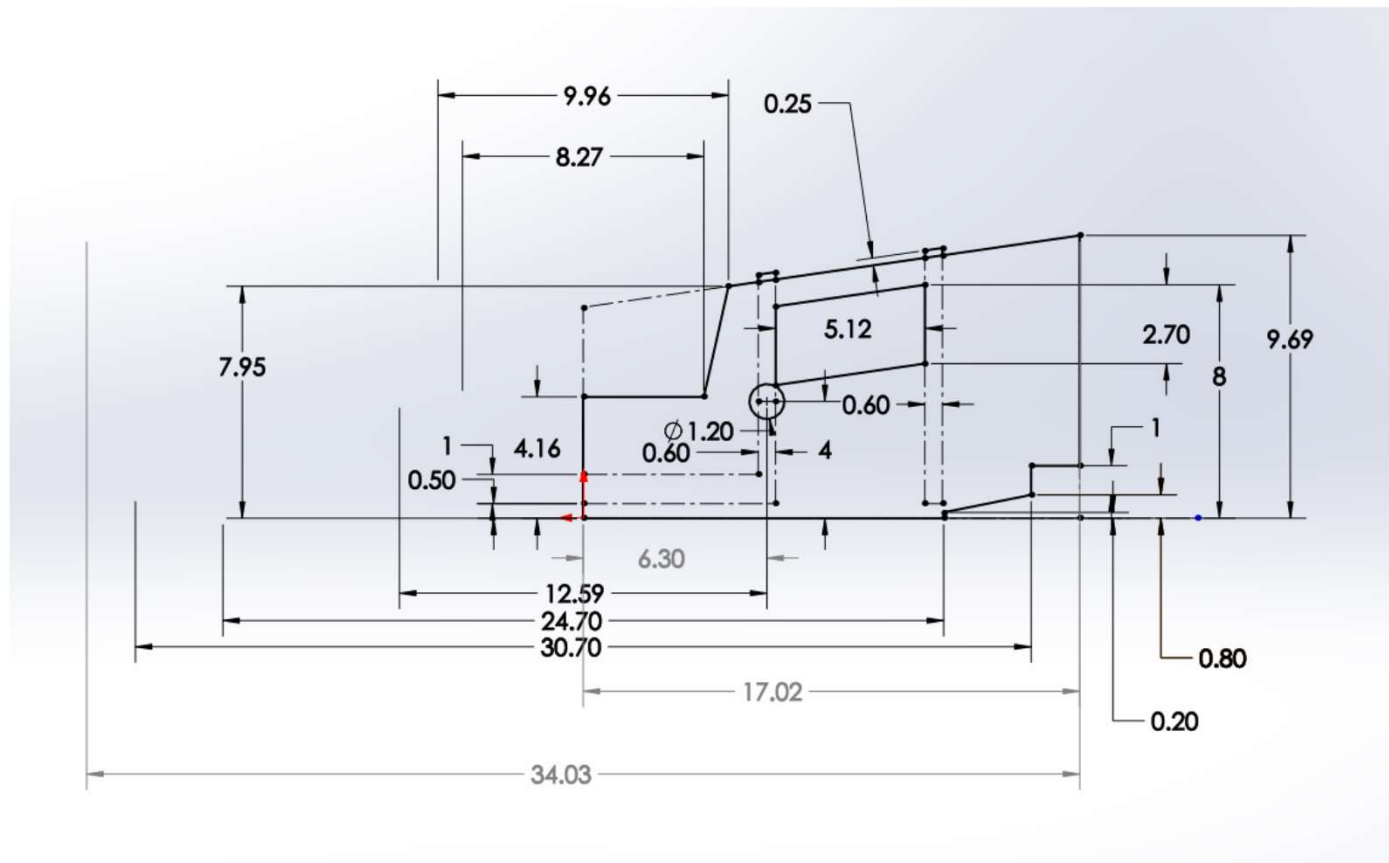
Default



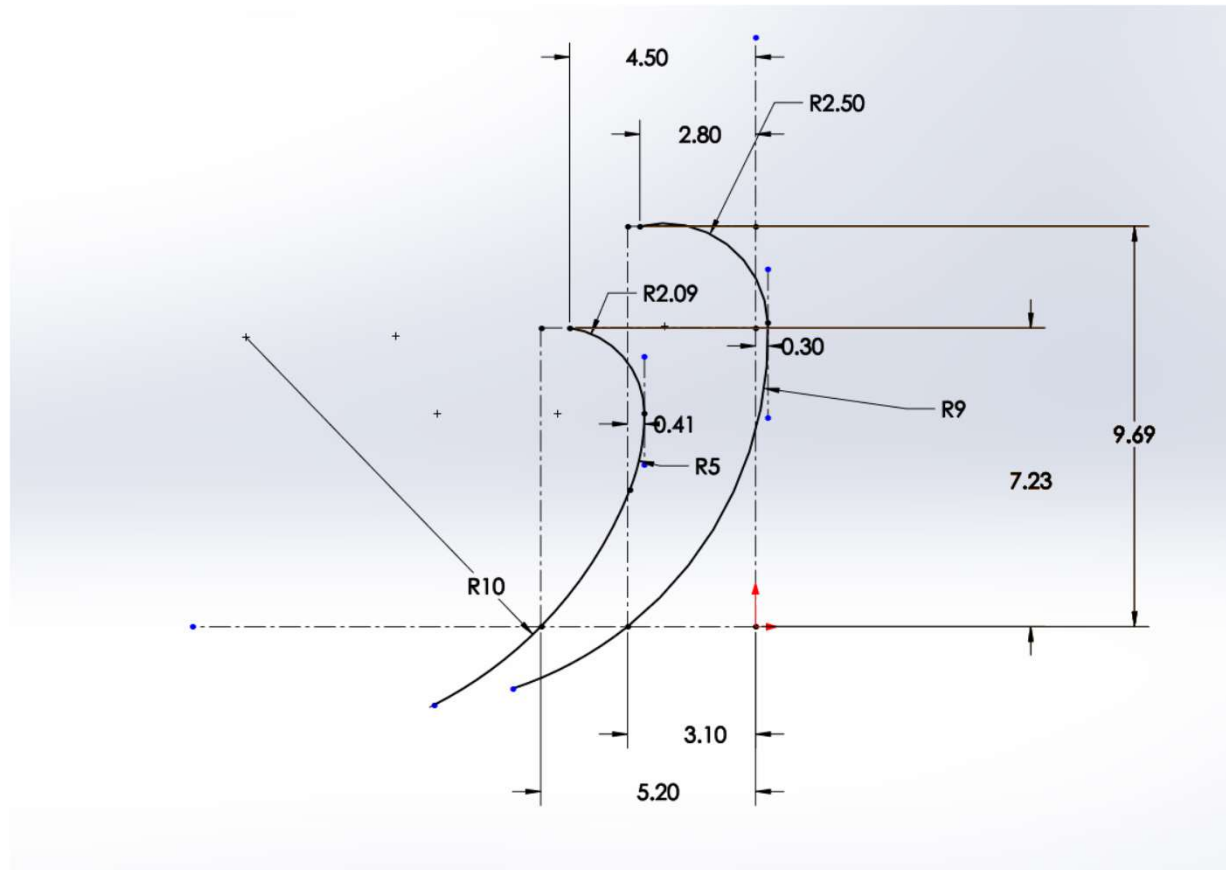
# Reference Geometry – Plow Angle and Length



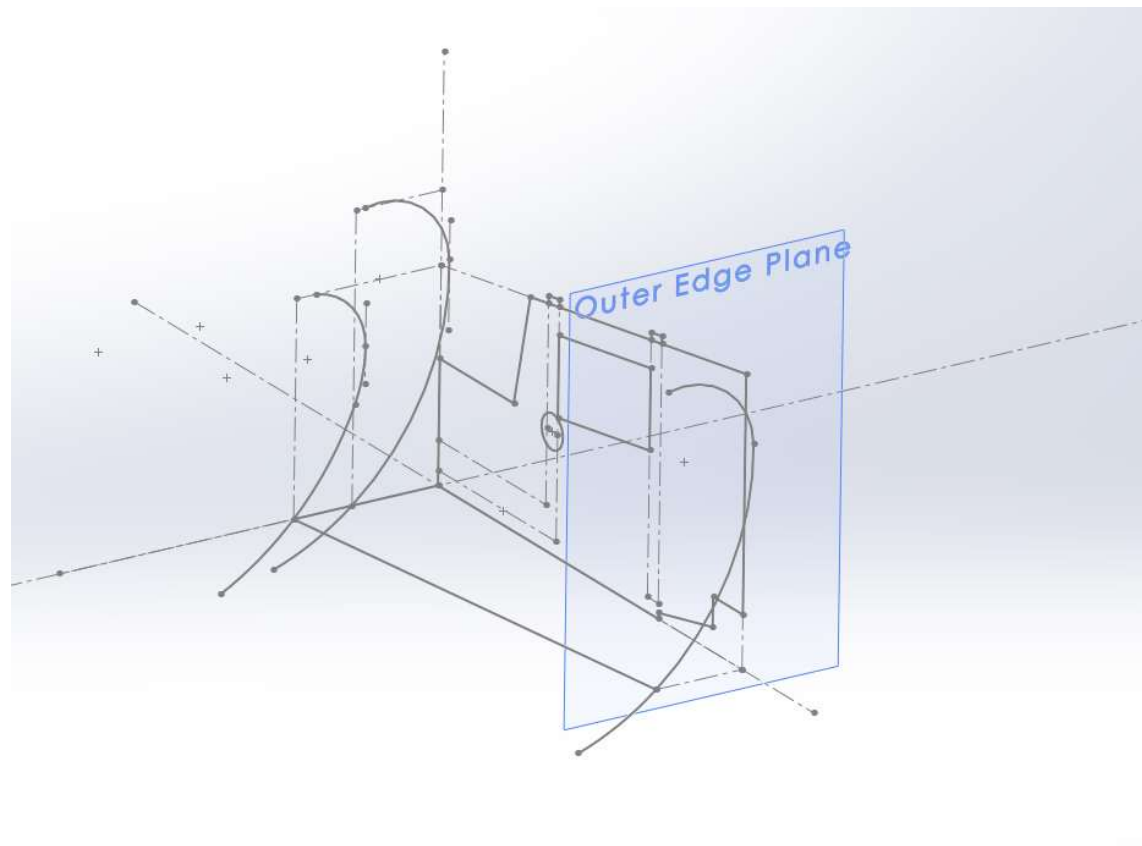
# Reference Geometry – Front View



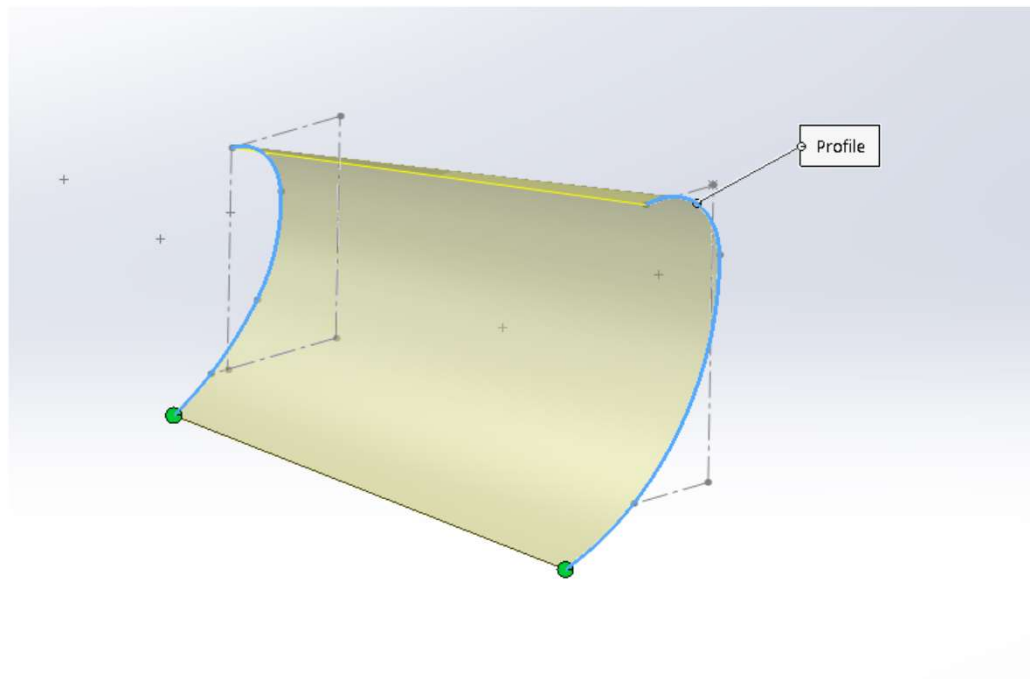
# Reference Geometry – Plow Curves



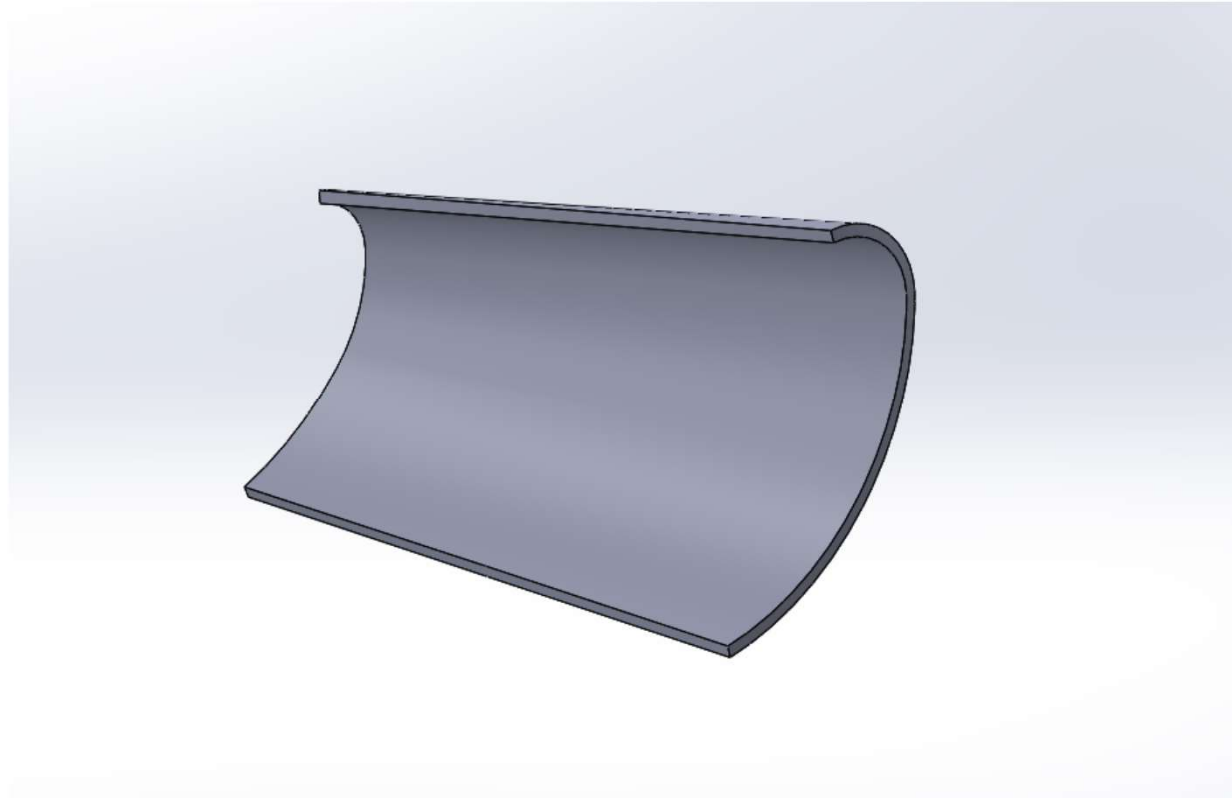
# Reference Geometry – Combined Sketches and Setting the Outer Edge



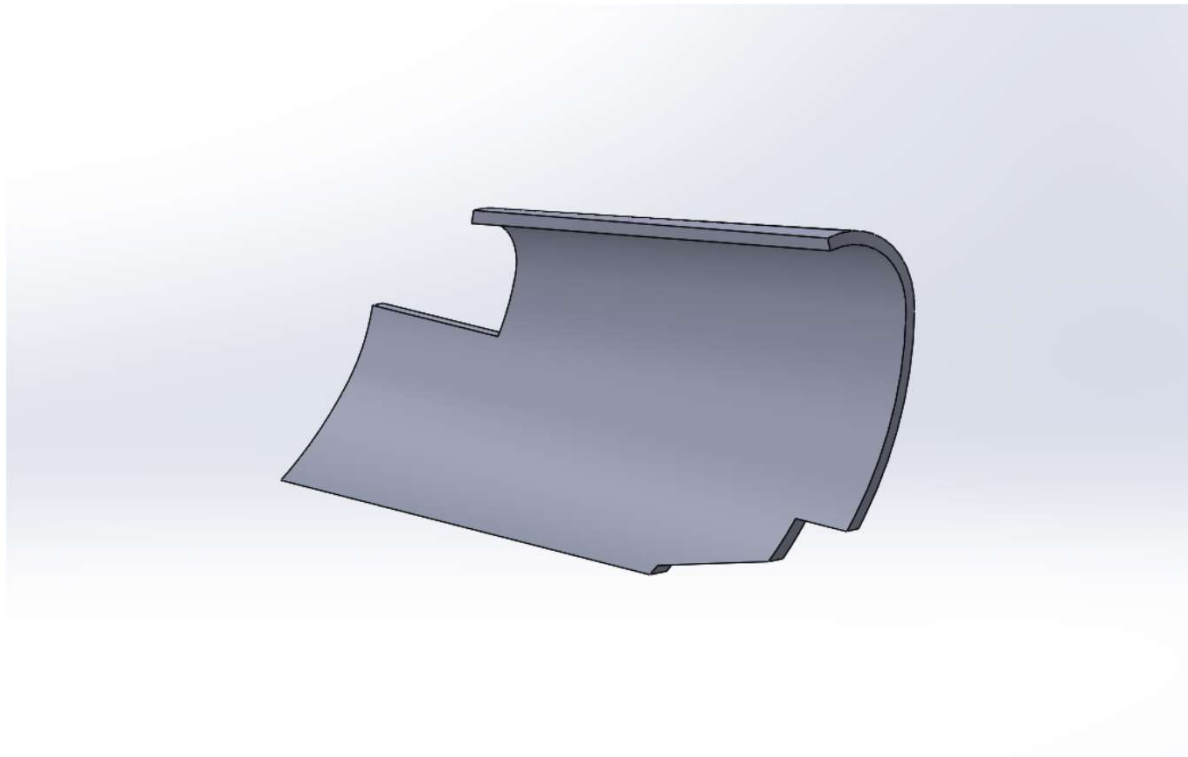
# Making The Plow Blade



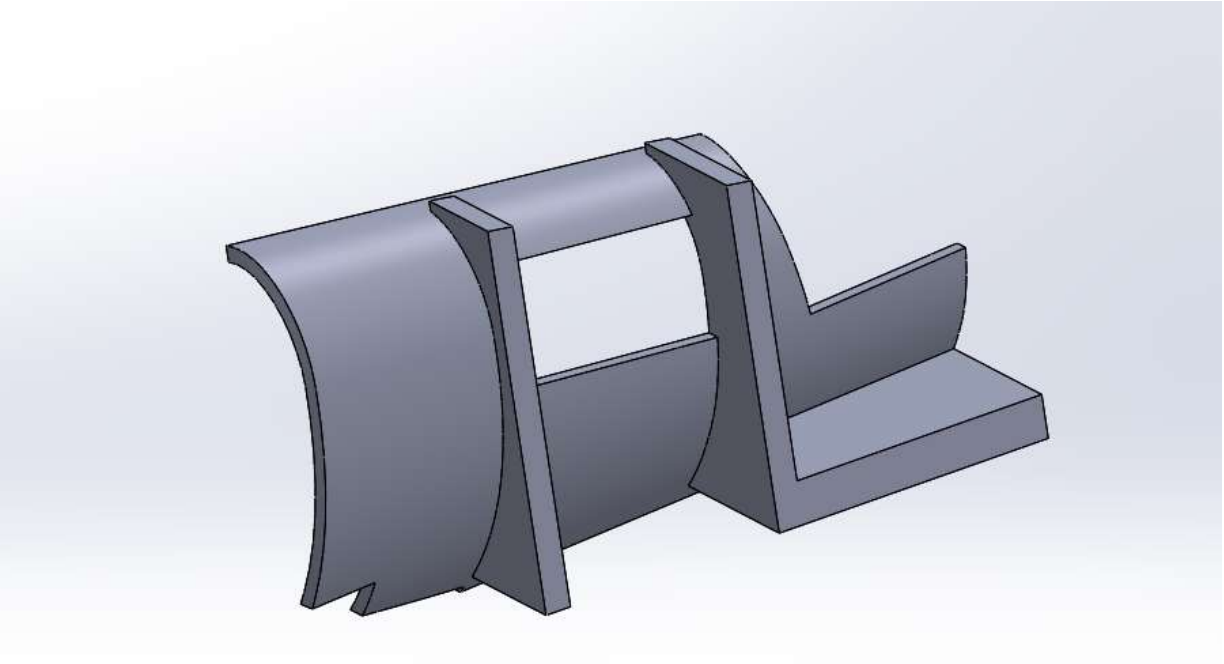
# Plow Blade Before Cutting



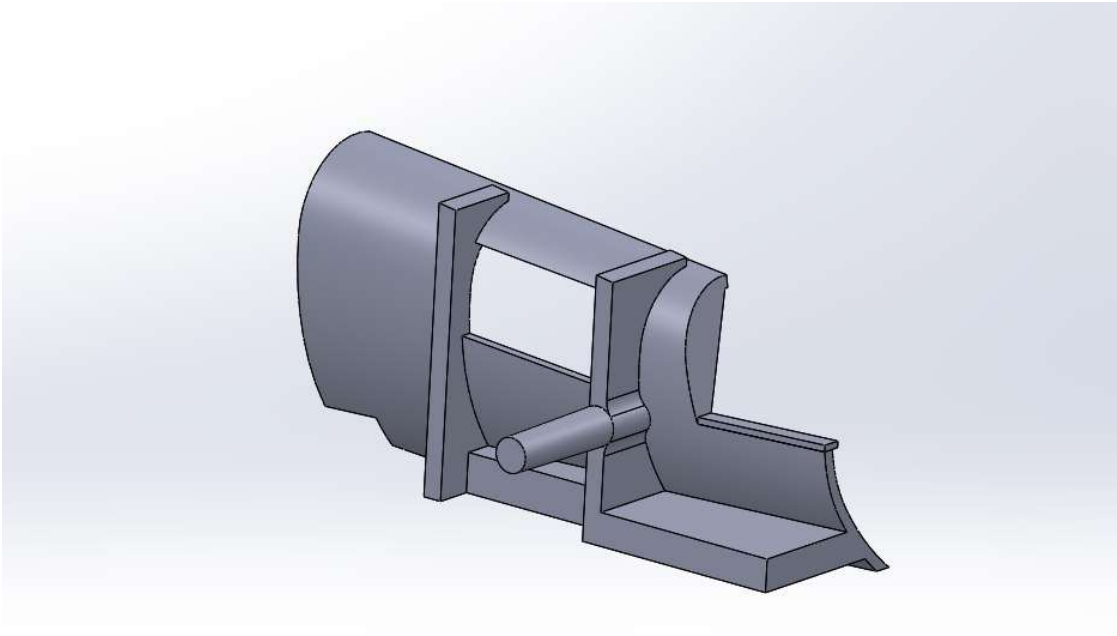
# Plow Blade After Cutting



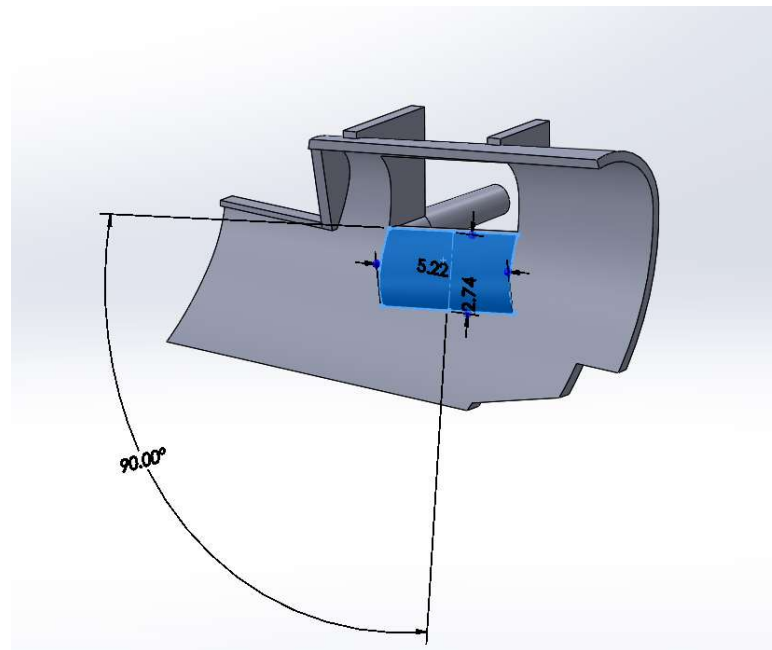
# Add Framing and Supports



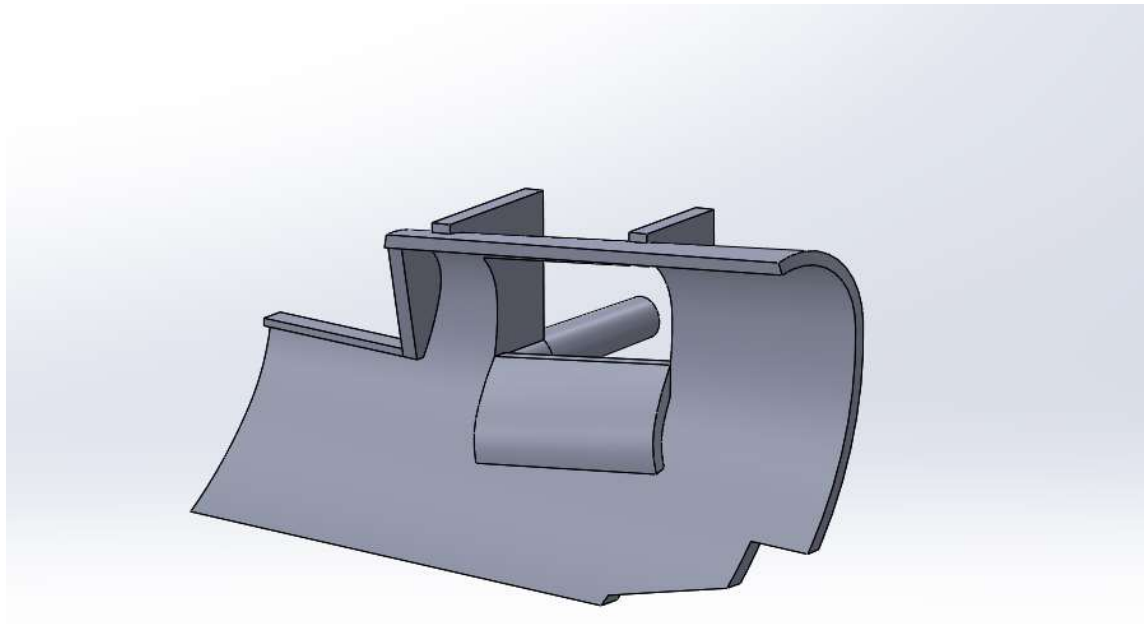
# Add Mounting Pin



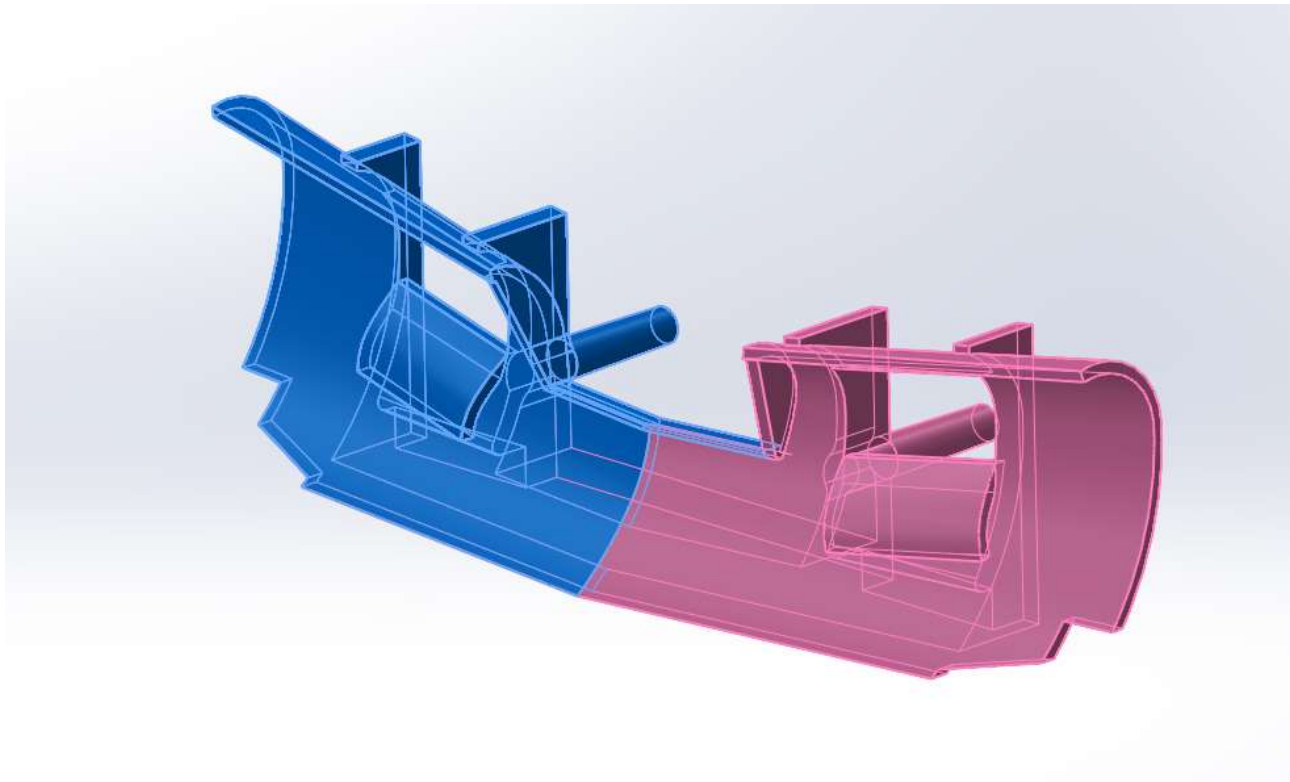
# Create Basic MU Door Geometry



# Basic MU Door








# Mirror – Make As One

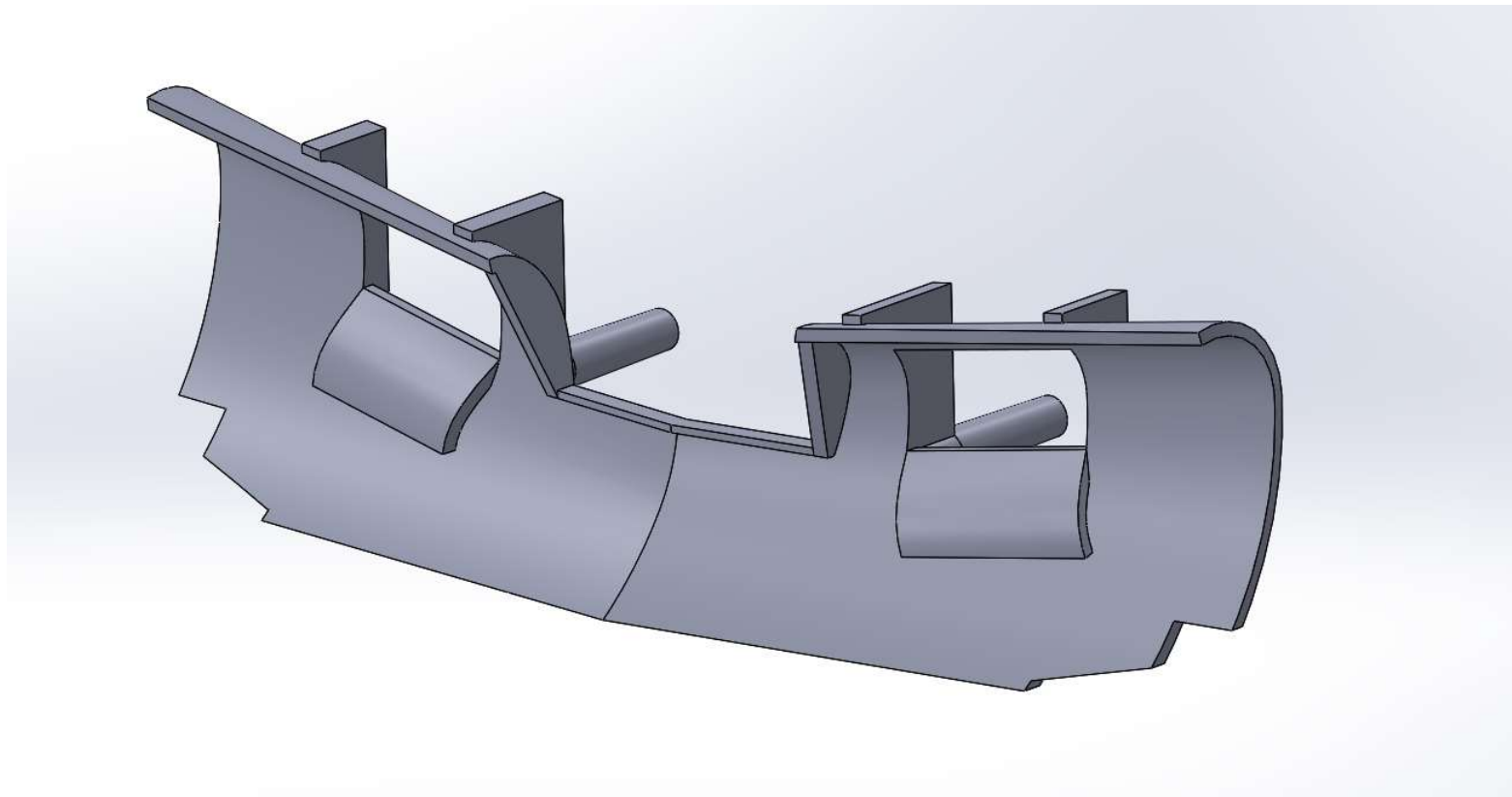


# Model Configurations

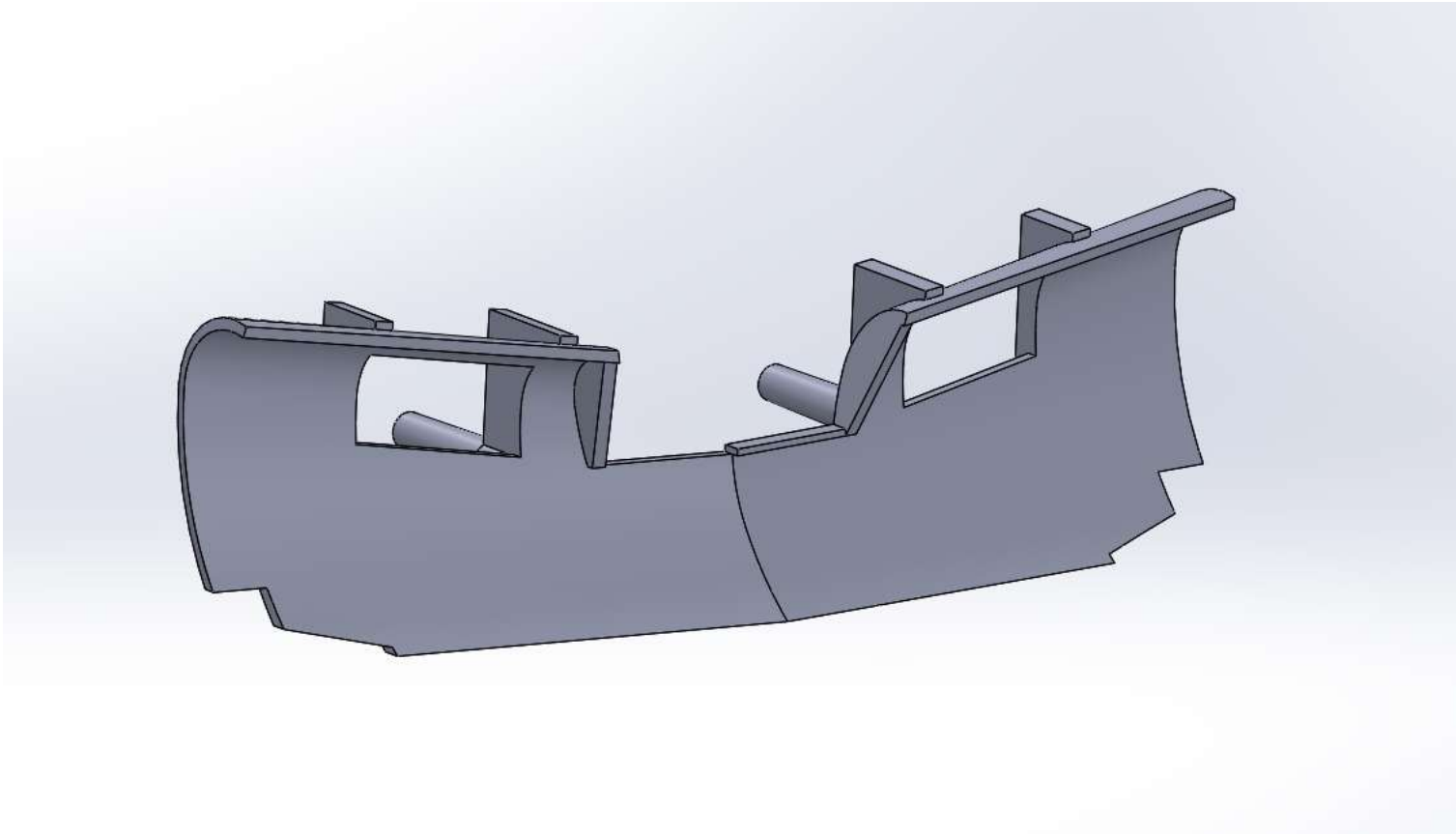
## Configurations

-  Athearn EMD Small Snow Plow Configuration(s) (With MU Doors)
  -  — Default [ Athearn EMD Small Snow Plow ]
  -  — No MU Doors [ Athearn EMD Small Snow Plow ]
  -   With MU Doors [ Athearn EMD Small Snow Plow ]

With MU Doors

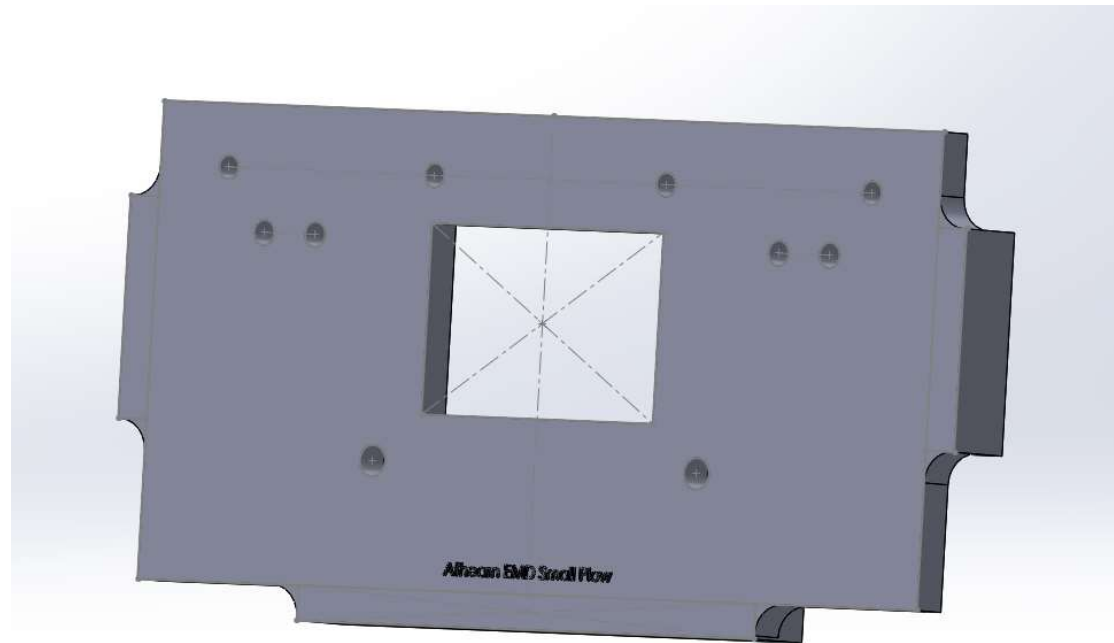


# Without MU Doors



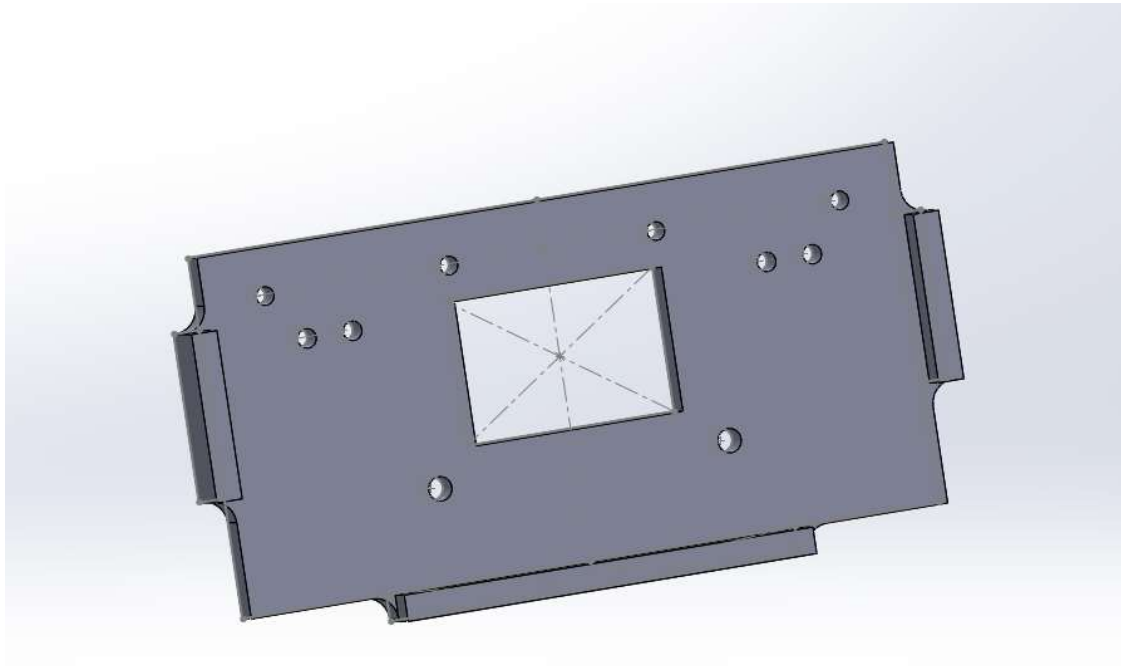
# Companion Drill Template - Front View

(Plow, MU Hoses, Coupler Lift Brackets)



# Companion Drill Template – Back View

(Plow, MU Hoses, Coupler Lift Brackets)



# John Deere Plow

